

#92.140 Bollard. Size 14 inch
Size: 14" over all length. Height: 4 1/4"
Base Plate: 11" x 3 1/2"

92.140
Bollard 14" overall

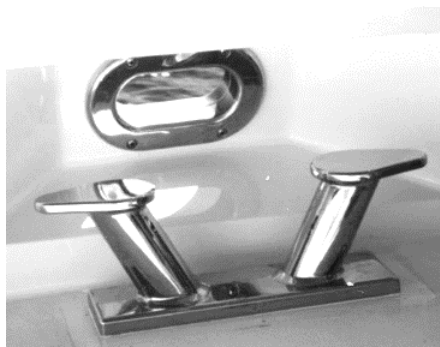
Distances mounting holes: 6 1/4"
for 5/8" inch bolts
Plate: 11 x 3 1/2"
316 stainless steel Bollards
Mirror polished



#92.911 Bollard 18 inch.
Base plate: 13 1/2 inch x 4 inch.
Ears: Raised 5 inch from bottom plate; 17.5 inch wide.

92.911
Bollard 18" overall

distances mounting holes: 5"
with 5/8" inch bolts
316 stainless steel Bollards
Mirror polished





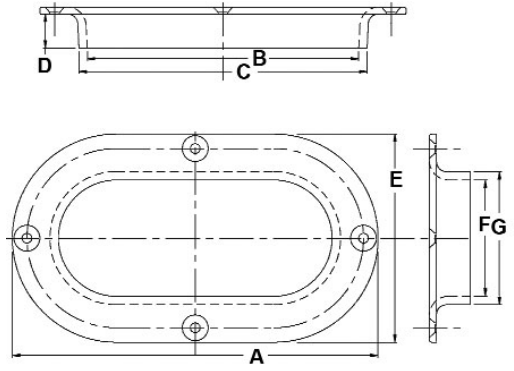
Izerwaren
Order
numbers

316 stainless steel
Hawse pipes
Mirror polished
Sizes in inches & mm

92.HPS8 **Hawse Pipe**
165 X 242 mm
316 s/s mating hawse
pipe, set 6.5 x 9.5 inch

92.HPS7 **Hawse Pipe**
127 x 242 mm
316 s/s mating hawse
pipe, set 5.75 x 9.5 inch

92.HPS6 **Hawse Pipe**
102 x 178 mm
316 s/s mating hawse
pipe, set 4 x 7 inch



#92.HPS8
316 s/s mating hawse pipe, set
Outside: 6.5 x 9.5 inch
Opening: 3 3/4 x 6 7/8 inch

#92.HPS7
316 s/s mating hawse pipe, set
Outside: 5.75 x 9.5 inch
Opening: 3 x 6 7/8 inch

For #92.HPS6
316 s/s mating hawse pipe, set
Outside: 4 x 7 inch
Opening: 1 9/16 x 4 9/16 inch

For #92.HPS8
A= 9.5 inch
E= 6.5 inch
Hawse opening:
: 3 3/4 x 6 7/8 inch
Thickness Mating Sets:
D= FROM 3 1/4 TO 1 5/8 inch

For #92.HPS7
A= 9.5 inch
E= 5.75 inch
Hawse opening:
3 x 6 7/8 inch
Thickness Mating Sets:
D= FROM 3. 1/4 TO 1 5/8 inch

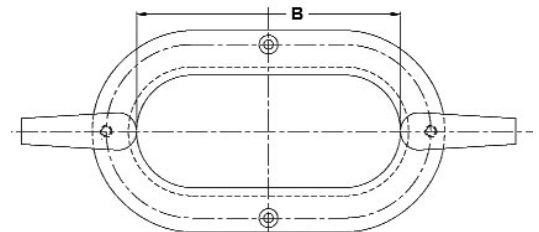
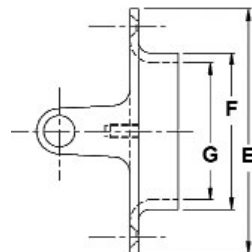
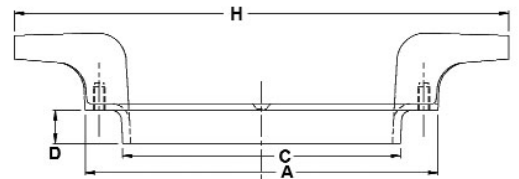
For #92.HPS6
A= 7 inch
E= 4 inch
Hawse opening:
1 9/16 x 4 9/16 inch
Thickness Mating Sets:
D= FROM 2 1/2 TO 1 1/4 inch

92.HPCS3 **Cleat Hawse Pipe**
250 x 132 mm

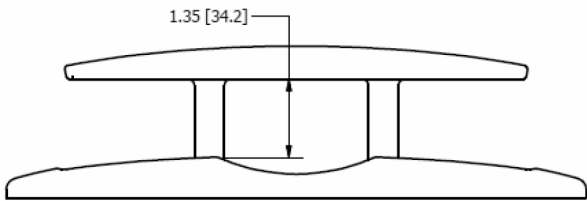
92.HPCS3 Cleat Hawse Pipe



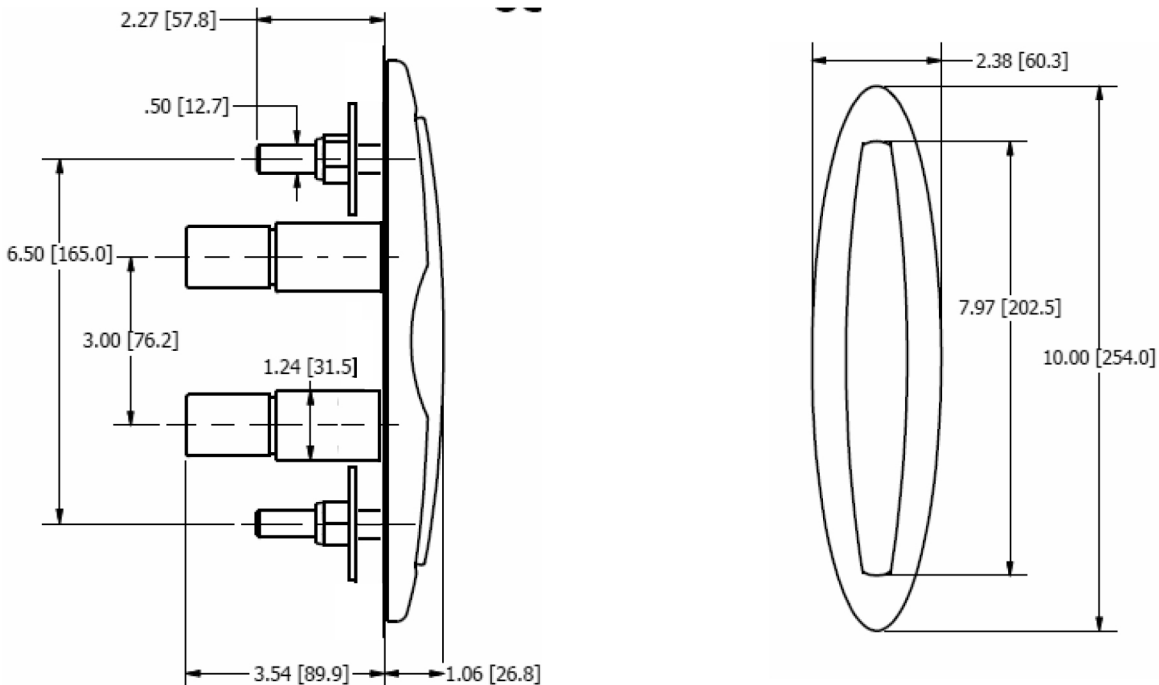
5.25 x 9.25 inch OD.
2.936 x 7.1265 inch ID.
3.115 x 7.5 inch Opening
H= Distance between ears: 14 inch



#92.HPCS3

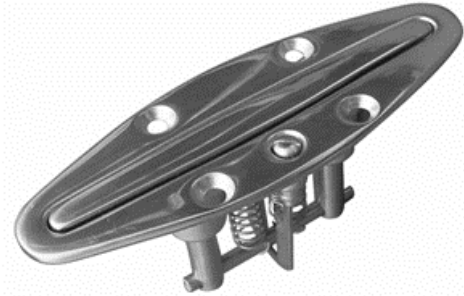
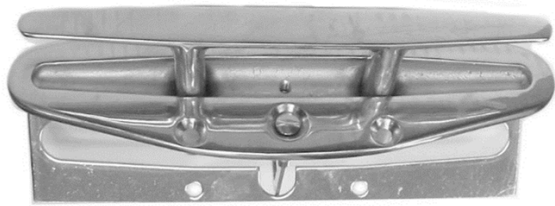


#93.104 Pop up Cleat; 10 inch x 2.38 inch. Surface Mount.



**Drill 4 Holes: 2x 1 1/4 inch diameter at 3 inch distance.
2x 1/2 inch diameter bolts at 6.50 inch distance.**

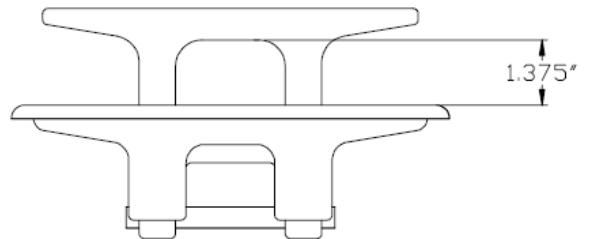
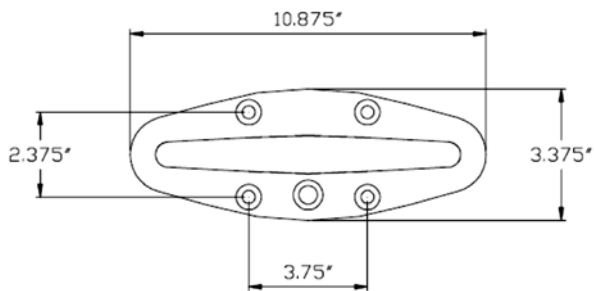
- Finish: Polished Stainless Steel; delron gaskets
- Overall size: 10 inch x 2.38 inch; build in depth: 3.54 inch; Protrudes: 1.06 inch



**# 93.102 Pop Up Cleat 10 inch with Back Mounting Plate
Screw heads Showing; Top mounting**

Size: 10.875 x 3.375 inch. Build in Depth: 4.375 inch.

**# 93.101 Pop Up Cleat 10 inch with Back Mounting Plate
Back Mounting No Screws Showing**



**# 93.103 Pull Up Cleat 15 inch with Back Mounting Plate
Back Mounting No Screws Showing**

Overall Size: 17 x 5.3 inch. Build in depth: 7.1 inch

